

SPECIFICATIONS



MODEL NUMBER	FUEL TYPE	GAS CONSUMPTION INPUT		INLET GAS PRESSURE		ENERGY FACTOR (EF)	MAX GPM*	HOT/COLD GAS CONN.	DIMENSIONS IN INCHES			UNIT WEIGHT (LBS)
		MIN. BTU/H	MAX. BTU/H	MIN. W.C.	MAX. W.C.				HEIGHT	WIDTH	DEPTH	
INDOOR												
T-H3-DV-N	Natural	15,000	199,000	5.0	10.5	0.95	10.0	3/4" NPT	22-1/2	17-3/4	10-3/4	59

All dimensions are in inches.

15-150 psi Water Pressure. 40 psi or above is recommended for maximum flow.

*Current numbers based on factory testing; 0.4 GPM required for continuous fire after initial ignition.

Indoor models are certified from sea level to 10,100 ft. elevations.

In accordance with ANSI Z21.10.3, CO emission does not exceed 400 PPM for normal input.

The manufacturer reserves the right to discontinue, or change at any time, specifications or designs without notice and without incurring obligation.

Warmer Climates
70°F Incoming Groundwater Temperature

Cooler Climates
40°F Incoming Groundwater Temperature

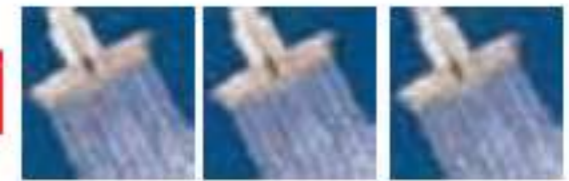
Capacity - Number of Shower Heads

T-H3-DV

4 Showers



3 Showers



Primary Heat Exchanger is constructed of HRS35 Commercial-Grade Copper which is more resilient against erosion

Secondary Heat Exchanger is made of Type 316L Stainless Steel

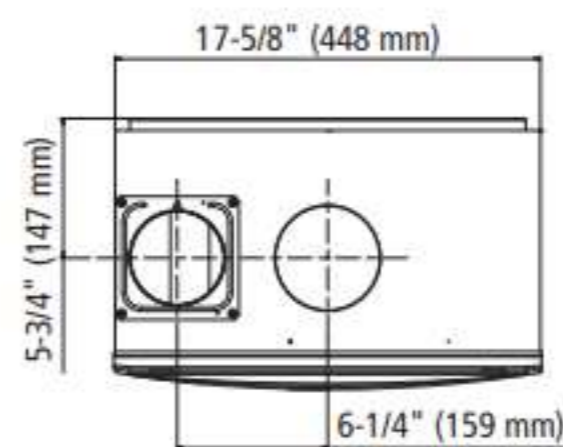
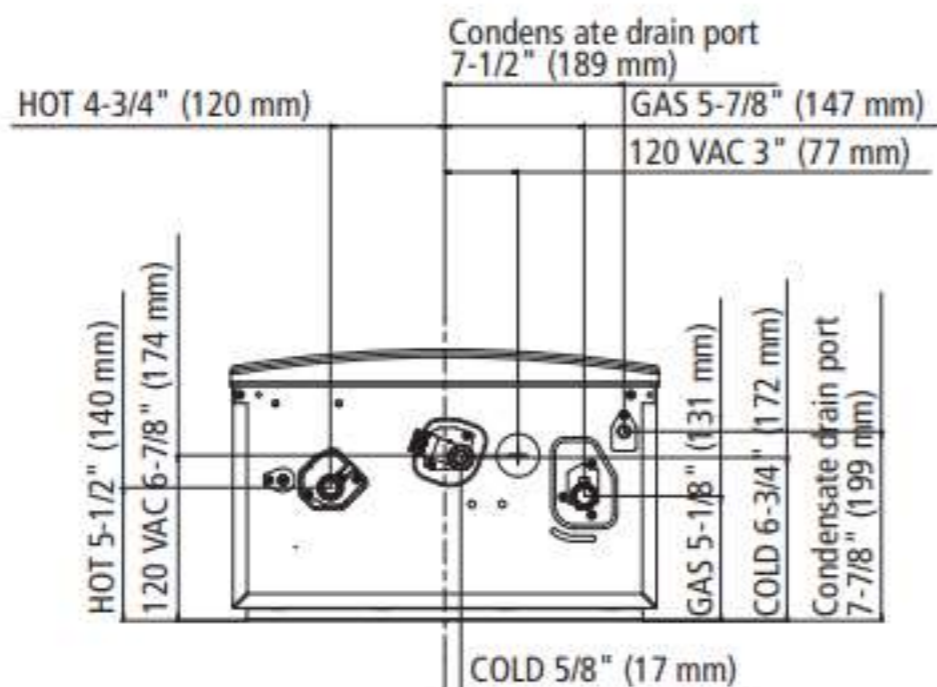
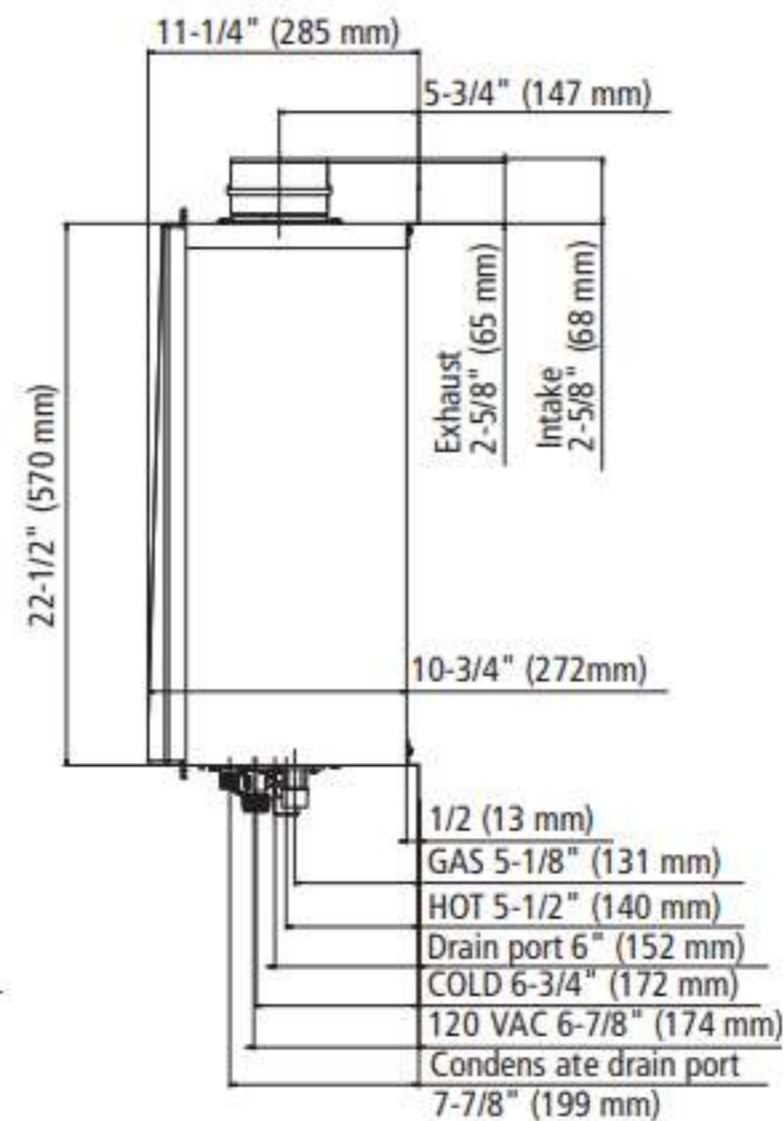
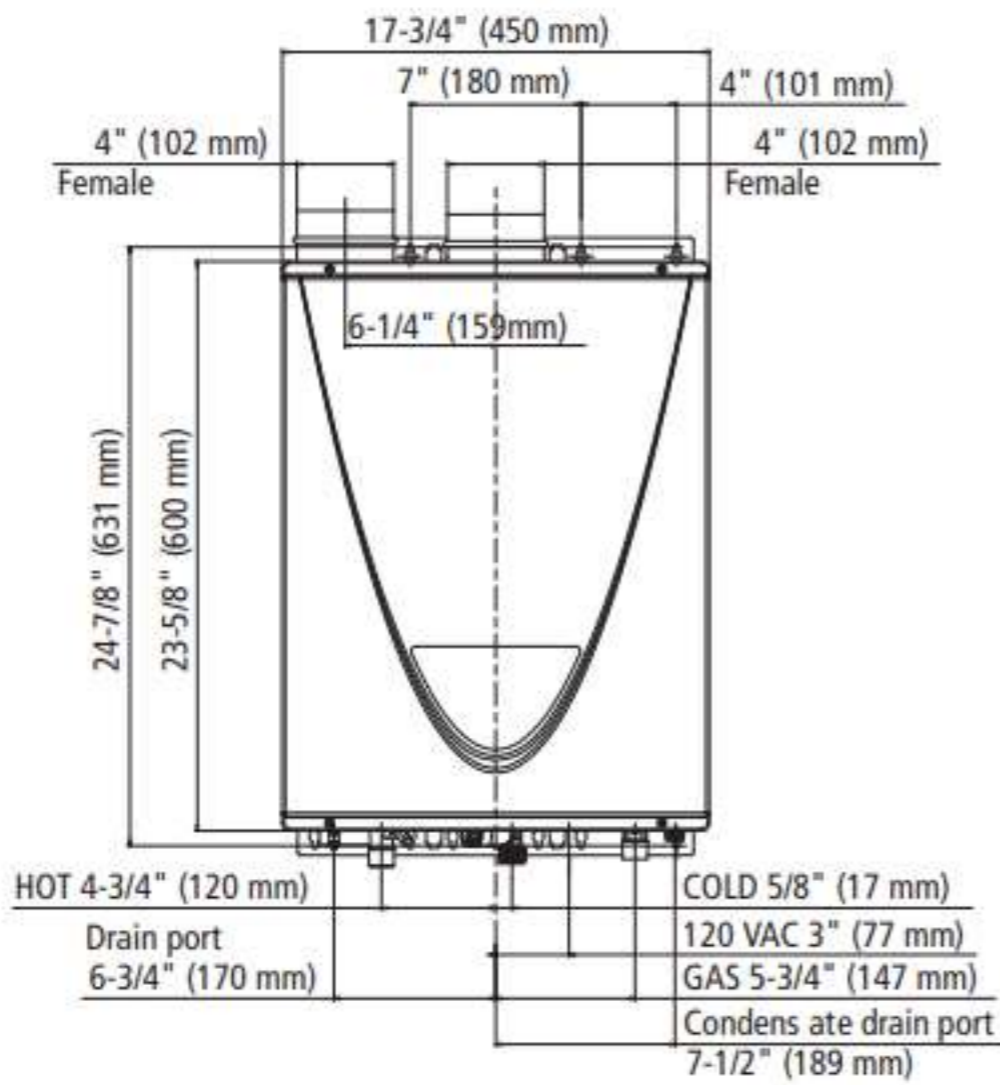
3" venting up to 70 ft

4" venting up to 100 ft

Indoor model includes a built-in temperature controller and advanced diagnostics

Easy Link up to 4 units (with no additional parts or accessories needed)

Multi-Link up to 20 units



ANSI Z21.10.3

CSA 4.3



(T-H3 models)