



Bayview™



Model# 3552590 - Chrome Premier Single-Handle Centerset Lavatory Faucet

At a Glance:

- Single metal lever handle
- Reliable washerless cartridge
- Provides CEC-compliant, pressure-compensated flow rate of 1.2 GPM
- Includes heavy-duty ABS pop-up with color-matched trim
- Suitable for 3-hole installations (4" centerset)
- 30" nylon supply lines with 3/8" compression connections
- Certified lead-free

Compliance:

- Complies with ADA (Americans with Disabilities Act)
- Complies with requirements of ASME A112.18.1
- Complies with toxicity requirements of NSF 61-9 and CA Proposition 65
- Meets lead-free requirements of California Health & Safety Code 116875 (AB1953)
- Meets lead-free requirements of NSF 372
- Complies with requirements of CSA B125

Warranty:

- Limited Lifetime Warranty
*Refer to Premier Faucet warranty program for further details and restrictions.

Faucet Features:

Dimensions (WxHxD)	6-1/2" x 5-1/4" x 5-5/8"
Finish	Chrome
Platform	Standard Hybrid
Flow Rate	1.2 GPM
Flow Restriction Type	PC (Pressure-Compensated)
Centers Holes	4" 3-Hole
Handle Screw	1/8" Hex Key x 1/4"-28
Handle Type	Single Lever
Handle Material	Metal
Control	Washerless Ball
Inlet Connections	3/8" Compression
Inlet Type	30" Nylon Supply Lines
Max. Deck Thickness	1"
Shell Material	Metal
Aerator Size	Regular (55/64"-27 Female)
Spout Reach	3-5/8"
Putty Plate	Included
Pop-Up Type	Heavy-Duty ABS
Throat Plate	Plastic
Package Size (WxDxH)	10-7/8" x 7-1/8" x 6-1/4"
Package Weight	3.0 lbs.
Case Size (WxDxH)	22-1/2" x 11-5/8" x 14-1/8"
Case Weight	19.4 lbs.

Listings:

- IAPMO (International Association of Plumbing & Mechanical Officials)
- cUPC (Uniform Plumbing Code-US & CA)
- IAPMO-Certified Lead-Free
- EPA WaterSense-Approved
- DOE (Department of Energy)
- CEC (California Energy Commission)
- Commonwealth of Massachusetts

Optional Accessories:

- 120471 - 18" Towel Bar, Chrome
- 120473 - 24" Towel Bar, Chrome
- 120475 - Robe Hook, Chrome
- 120477 - Towel Ring, Chrome
- 120479 - Toilet Paper Holder, Chrome

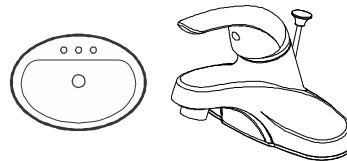
For additional information, contact Premier Faucet at 866-745-4010 or visit our website at www.premierfaucet.com.



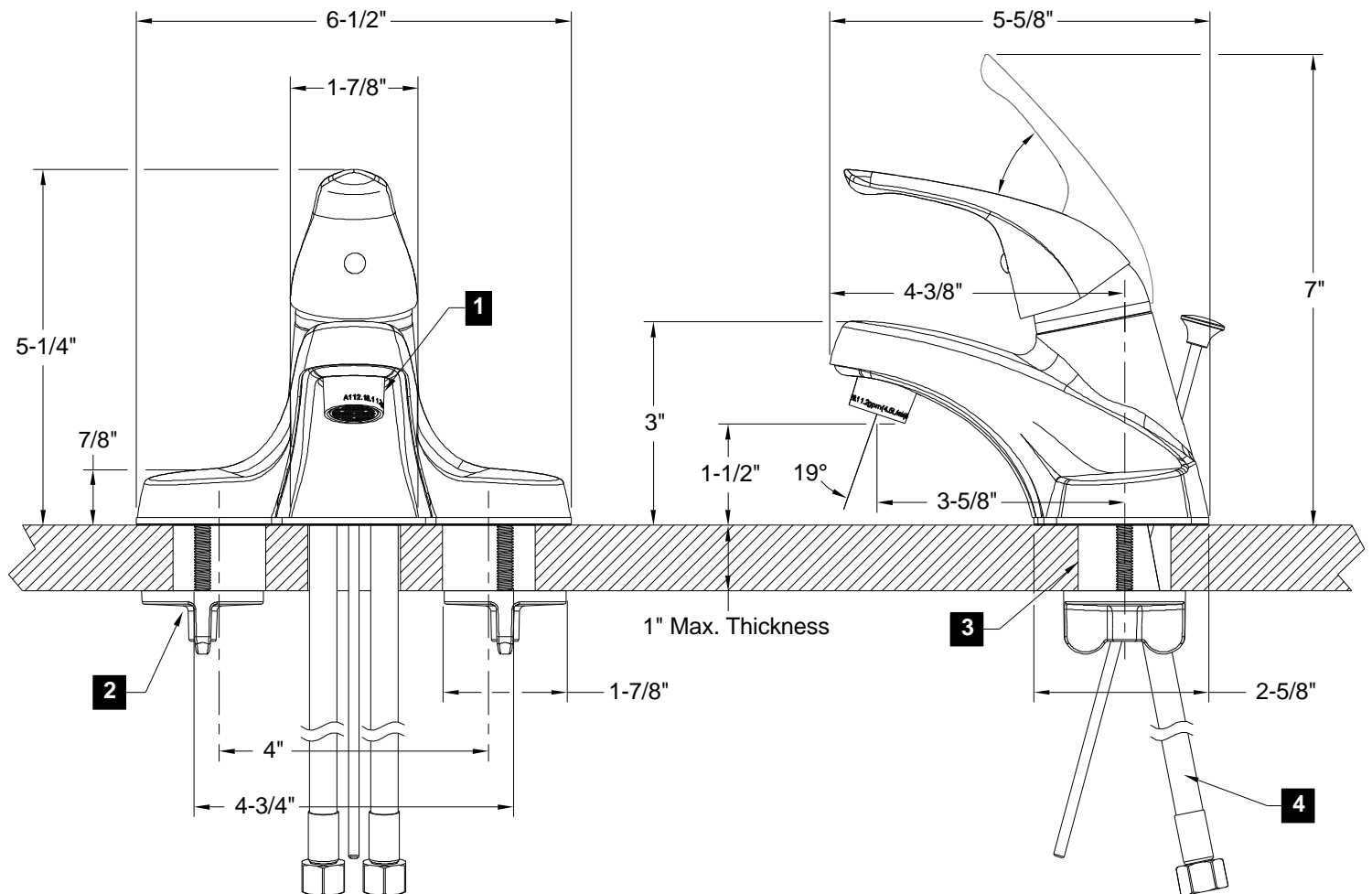


Installation Configurations:

3-Hole Installation



Dimensional Drawing:



- 1) 55/64"-27 female threaded aerator shell
- 2) 1/4"-20 threaded tie-downs
Plastic wing nuts for easy, tool-free installation (included)
- 3) Fits standard hole openings 1-1/4" to 1-1/2" in diameter
- 4) 30" nylon supply lines with 3/8" compression connections for easy installation (28" usable length)

For additional information, contact Premier Faucet at 866-745-4010 or visit our website at www.premierfaucet.com.

