

## URINAL FIXTURE - 7110 & 7115

Item: \_\_\_\_\_



Unit may be pictured with some optional features.

- 7110** Back supply connection 3/4" (19mm) MIPT.
- 7115** Top supply connection 3/4" (19mm) MIPT.

### STANDARD FEATURES

- Chase mounted fixture, Wall outlet waste, Washdown urinal
- High volume beehive style strainer.
- 1 1/2" (38mm) OD P-trap for slip-joint connection.
- Vandal resistant stainless steel trap enclosure.
- **Hardware-**
  - Plated steel concealed anchor rods and fasteners.



**WARNING:** Cancer and Reproductive Harm  
- www.P65Warnings.ca.gov.

### ► DESCRIPTION

This Urinal Fixture is designed for areas with an accessible pipe chase. The fixtures are fabricated using heavy gauge type 304 stainless steel, welded to form a vandal resistant unit. Flushing provides a sanitary washdown of the interior. Exposed surfaces have a satin finish. Fixtures come with a beehive type strainer, P-trap and vandal resistant stainless steel trap enclosure.

### ► PERFORMANCE STANDARDS

This fixture meets or exceeds ASME A112.19.3 / CSA B45.4 standards for "Stainless Steel Plumbing Fixtures".

### ► INSTALLATION

An accessible pipe chase is required for installation. Four anchor rods screw into sockets on back of the fixture. Anchor rods pass through the wall and are secured with washers and hex nuts on the chase side of the wall. The installer must provide wall openings for anchor rods and piping per rough-in drawings provided by Metcraft.

NOTE: A security frame (wall sleeve) is recommended when installed on a new block (CMU) or poured concrete wall. A security frame is not appropriate for hollow wall construction.

Water Consumption:  
With HEU consumption flush valve - .5 gpf (1.9 liters)

#### RECOMMENDED FLUSH VALVES

	SLOAN	ZURN	DELANY
Concealed	613	Z6613	F576
Exposed	186	Z6614	F575

Listed by



### WALL THICKNESS AND TYPE (Must Specify)

Thickness: \_\_\_\_\_ Type:  Concrete  Block  Steel

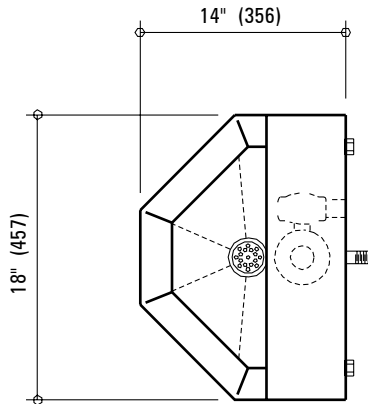
### OPTIONS/ACCESSORIES

- A120** Security Frame (Wall Sleeve/Can).
- A168** Metal Template for Wall Openings.
- PCC** Powder Coat - Anti-microbial White.
- A245** Flush valve thru wall connector  $\frac{3}{4}$ " MIPT.
- A610** Flush Valve Access Panel. Not available on 7115.
- A615** Flush Valve Cover. Not available on 7110.
- ADA** ADA Mounting height - 17" Rim Height.

\* Dimensions lowered 5" for ADA.

## URINAL FIXTURE - 7110 & 7115

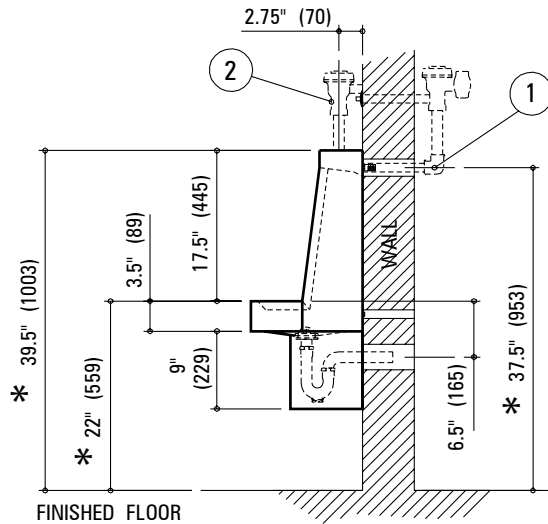
Item: \_\_\_\_\_



**Notes:**

- 1 - Back Supply (7110)
- 2 - Top Supply (7115)
- \* See ADA Option

Due to continuous product improvement Metcraft reserves the right to make changes in design and specifications without prior notice. All dimensions should be verified with the factory for current information.



<b>APPROVED FOR MANUFACTURING</b>	<b>Company:</b> _____	<b>Name:</b> _____
	<b>Signature:</b> _____	<b>Date:</b> _____