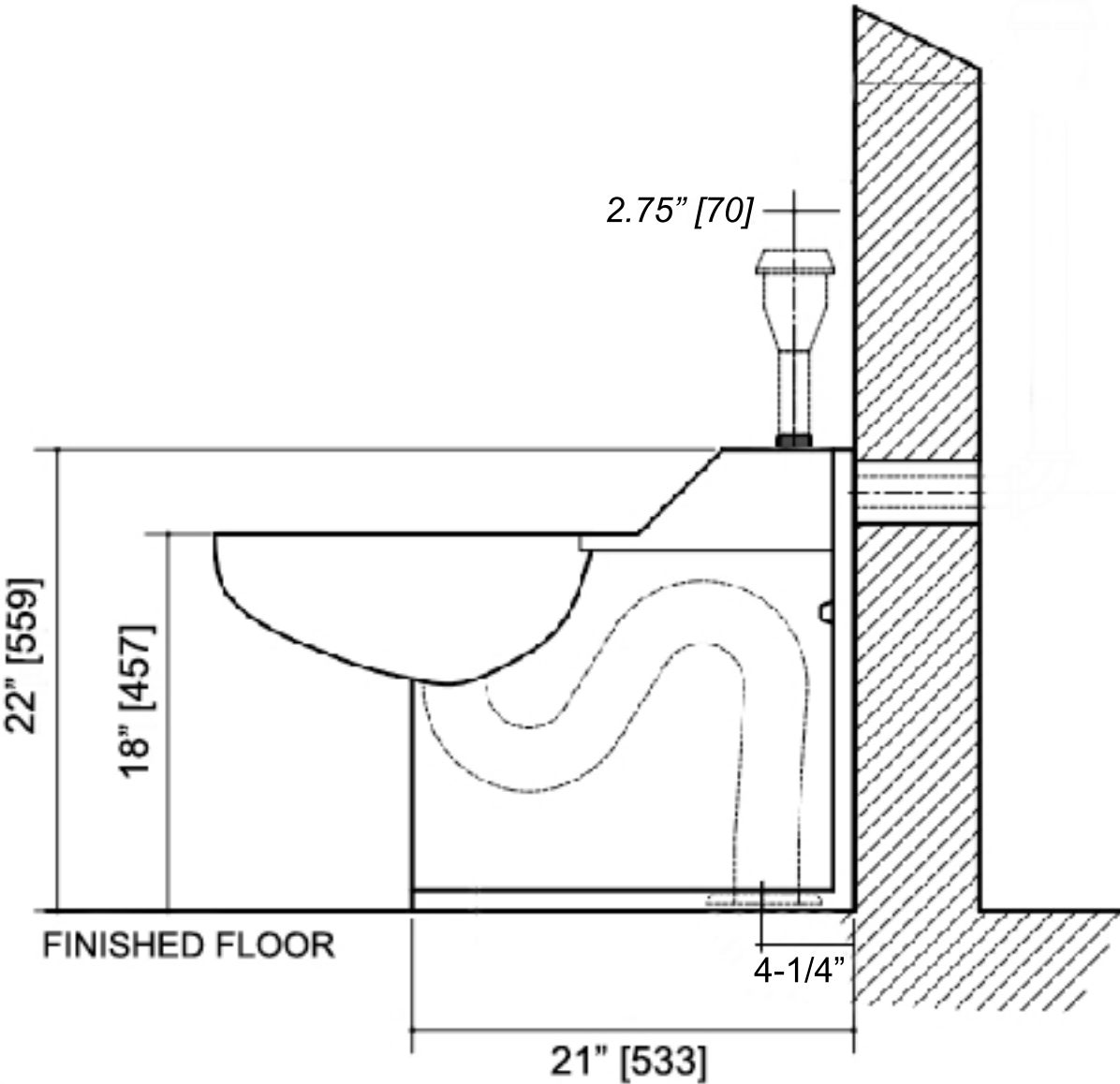
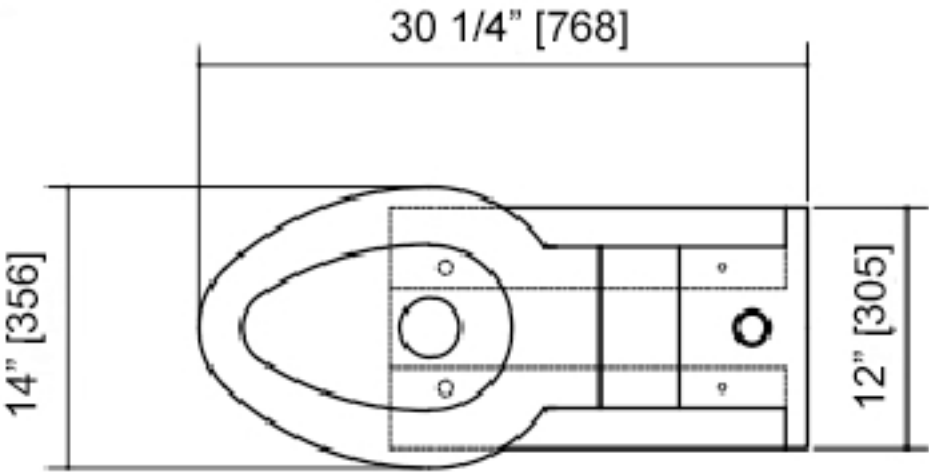


**PlumbingSupply.com
Order Verification Form
Signature Required Below**



Dear Customer,
Verification must be received before order can be entered for shipment.
Please sign to verify #HET4655 - 1.28 GPF - TOP Supply Handicap Toilet Fixture
meets your requirements.

Customer Signature

Please print name and return to:
PlumbingSupply Group LLC - FAX: 530-891-0654
EMAIL: sales@plumbingsupply.com