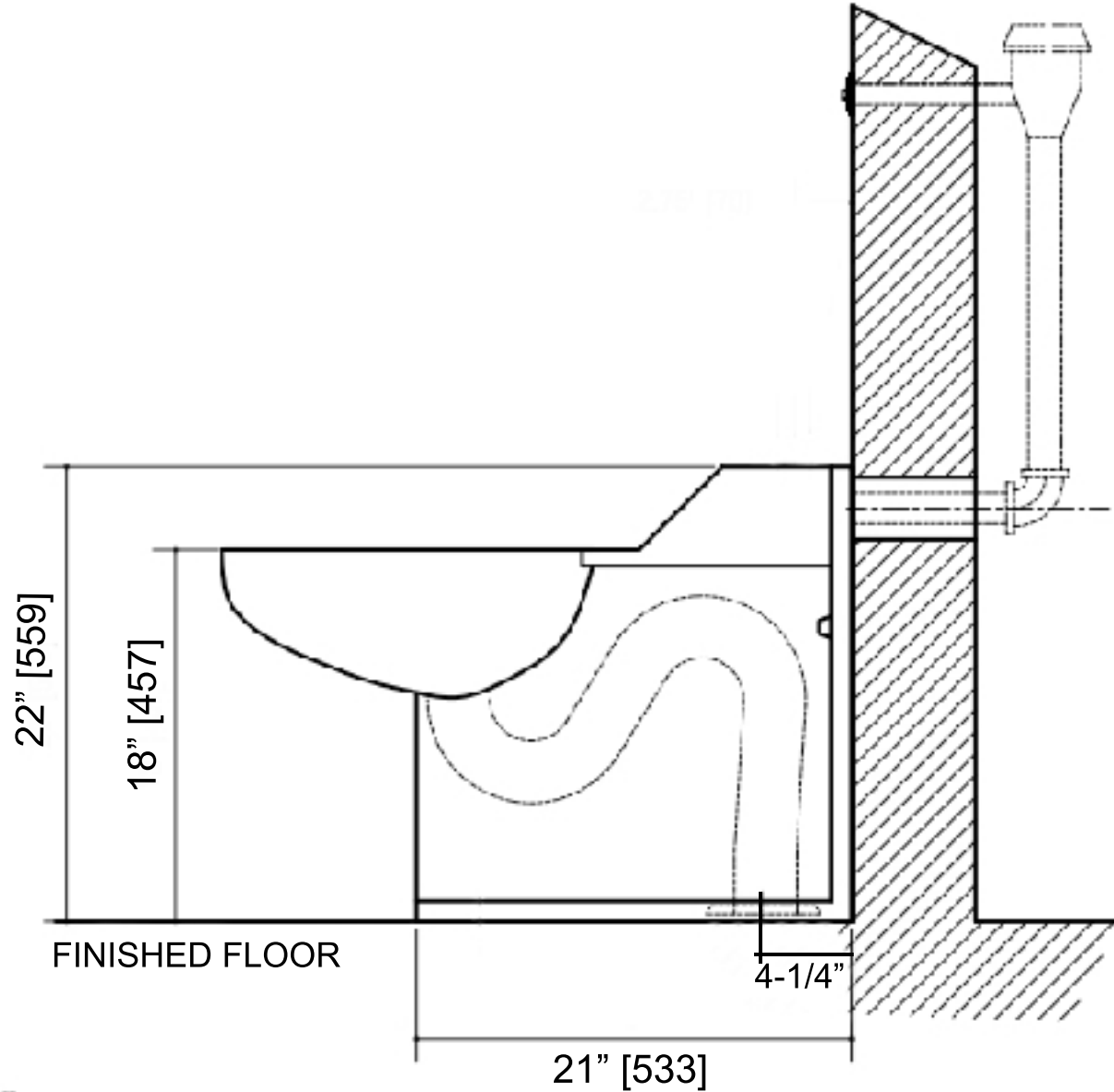
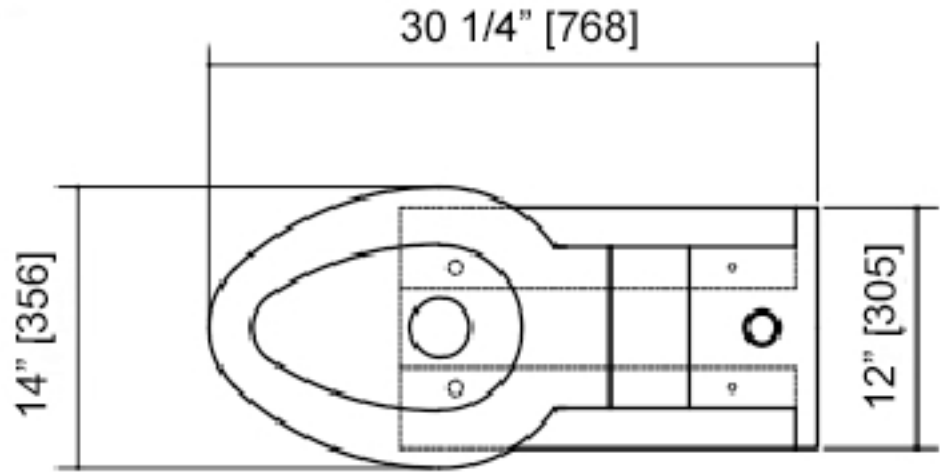


**PlumbingSupply.com**  
**Order Verification Form**  
**Signature Required Below**



**Dear Customer,**

**Verification must be received before order can be entered for shipment.**

**Please sign to verify #HET- 4650-1.28 GPF- Back Supply Handicap Toilet Fixture meets your requirements.**

\_\_\_\_\_  
Customer Signature

\_\_\_\_\_  
Please print name and return to:  
PlumbingSupply Group LLC - FAX: 530-891-0654  
EMAIL: [sales@plumbingsupply.com](mailto:sales@plumbingsupply.com)