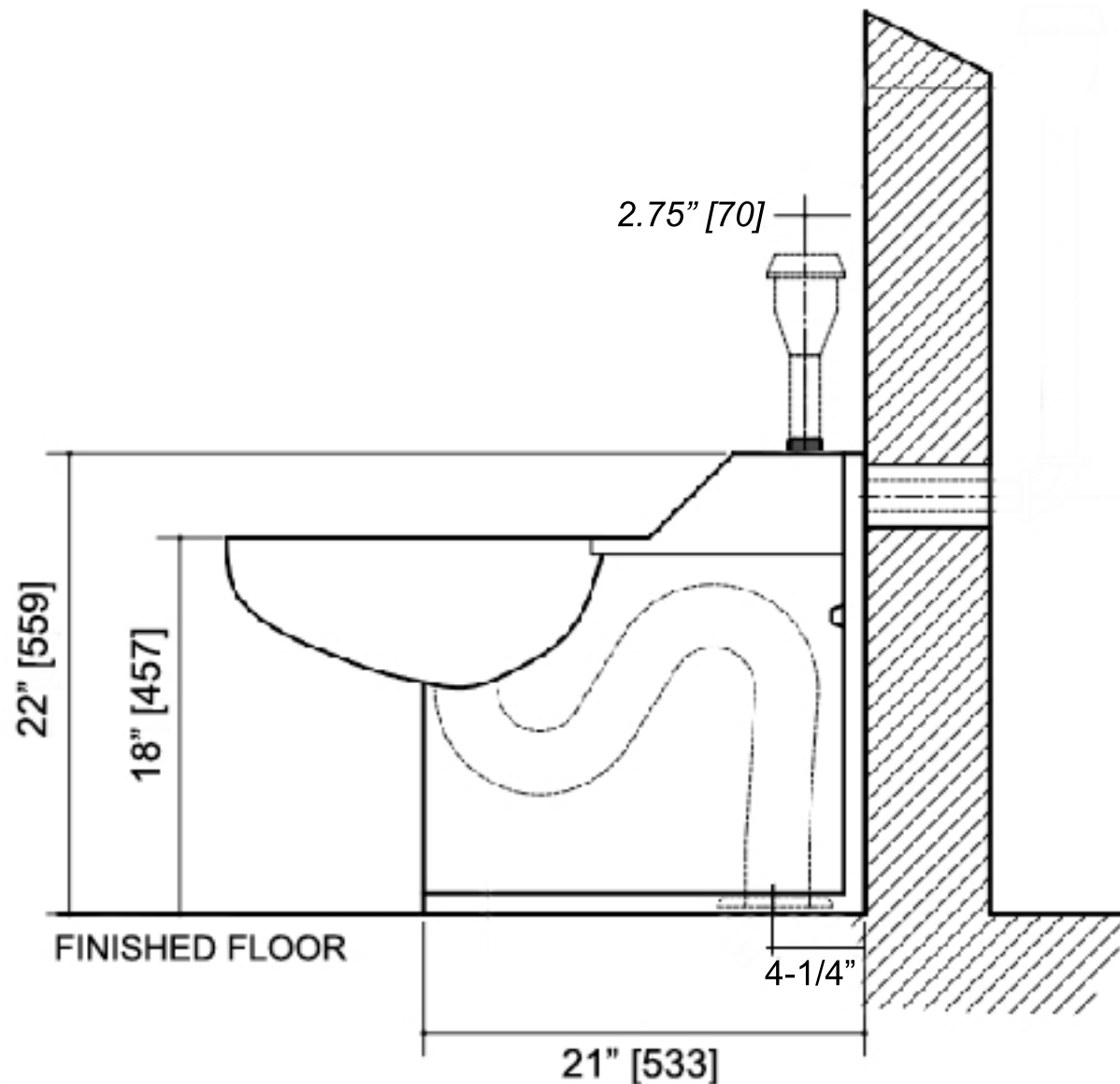
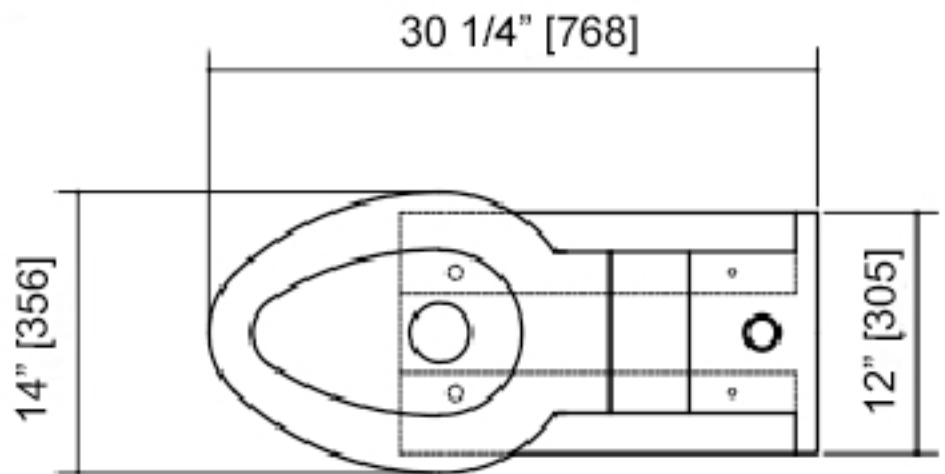


PlumbingSupply.com
Order Verification Form
Signature Required Below



Dear Customer,

Verification must be received before order can be entered for shipment.

Please sign to verify #4655 - 1.6 GPF - TOP Supply Handicap Toilet Fixture meets your requirements.

Customer Signature

Please print name and return to:
PlumbingSupply Group LLC - FAX: 530-891-0654
EMAIL: sales@plumbingsupply.com