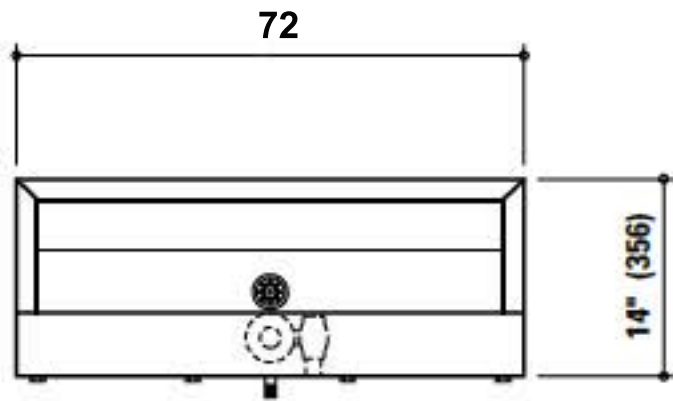


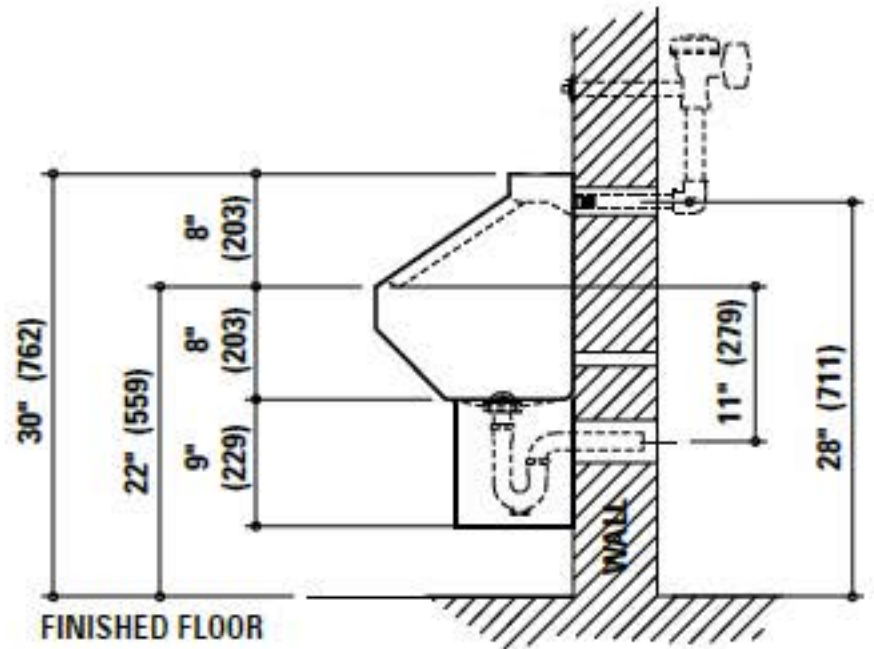
PlumbingSupply.com

Order Verification Form

Signature Required Below



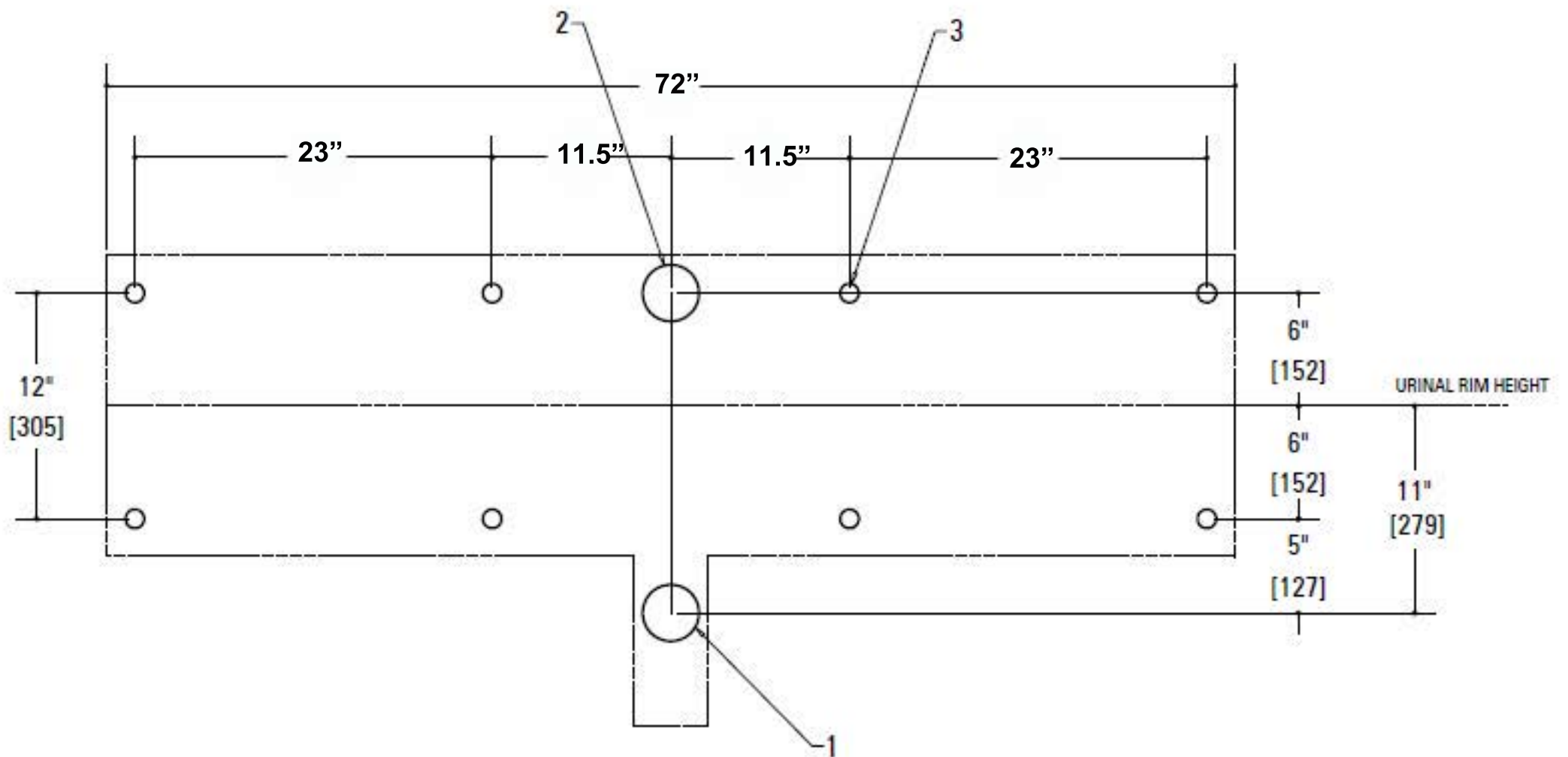
Due to continuous product improvement Metcraft reserves the right to make changes in design and specifications without prior notice. All dimensions should be verified with the factory for current information.



1. 3" [76] Diameter wall opening for waste outlet
2. 3" Diameter wall opening for 1-1/2" MIPT flush supply inlet
3. 1" [25] Diameter wall openings for anchors. (8)

WALL THICKNESS AND TYPE (Must Specify)

Thickness: Type: Concrete Block Steel



HOLES FOR CORE DRILLING OR STEEL PLATE WALLS

Dear Customer,

Verification must be received before order can be entered for shipment.

Please sign below to verify the 7143 Urinal meets your requirements.

X

 Customer Signature

Please print name and return to:
 PlumbingSupply Group LLC - FAX: 530-891-0654
 EMAIL: sales@plumbingsupply.com