



Item No.:	_____
Order No.:	_____
Qty:	_____ Date: _____

Features

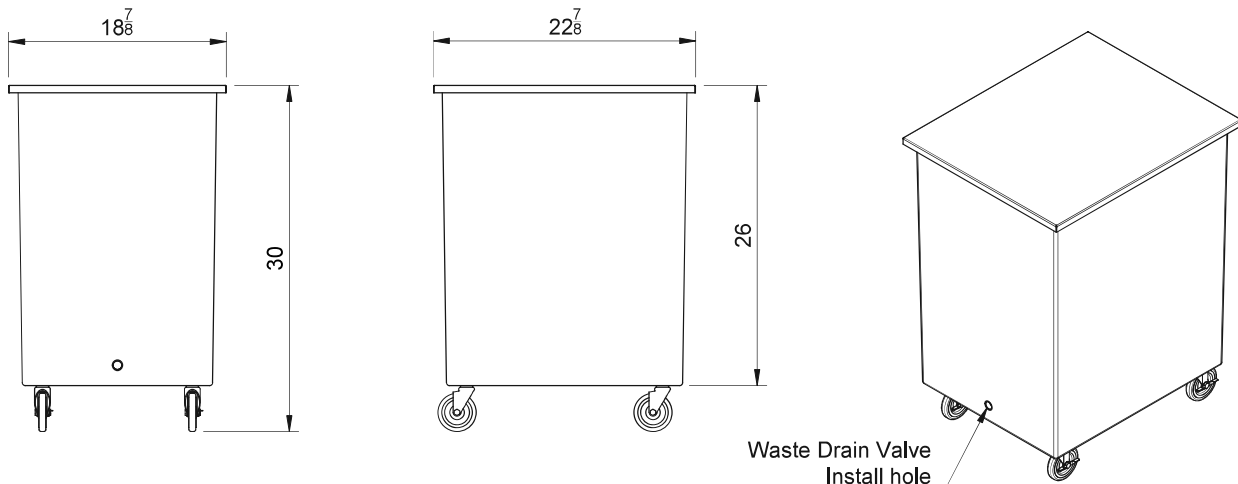
- Constructed of All Stainless Steel
- Soak and clean hood filters
- Comes with waste drain valve
- Top cover is included.
- Easy to transport with the 3" swivel caster included.
- 32 Gallons capacity



Description **Stainless Steel Hood Filter Tank With Cover**

Running a commercial kitchen can be stressful and overwhelming, and the last thing you need to worry about is dirty hood filters starting a grease fire. These sturdy filter tanks are designed to hold commercial size range/exhaust hood filters for soaking and cleaning. The stainless steel construction will stand up to almost any cleaner, and lets you exercise complete control over what cleaning products are being used. Rolling casters and a lid allow it to be store almost anywhere during soaking or when not in use, so it isn't sitting there taking up precious space.

Plan View **FF-Tank**



Order No.	D x W x H (in) Overall	D x W x H (in) Inside	Capacity	G. W. (lb)
FF-Tank	22-7/8 x 18-7/8 x 30	20-3/8 x 16-3/8 x 25-3/8	32 Gallons	39